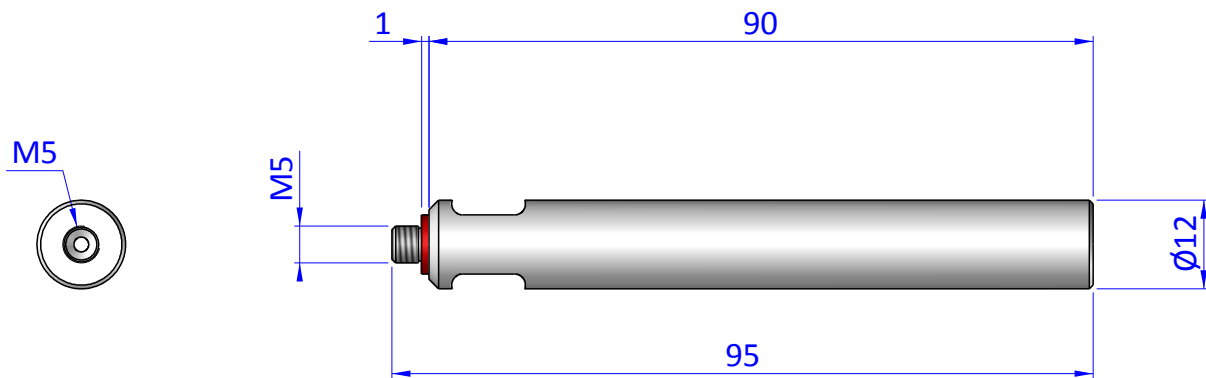
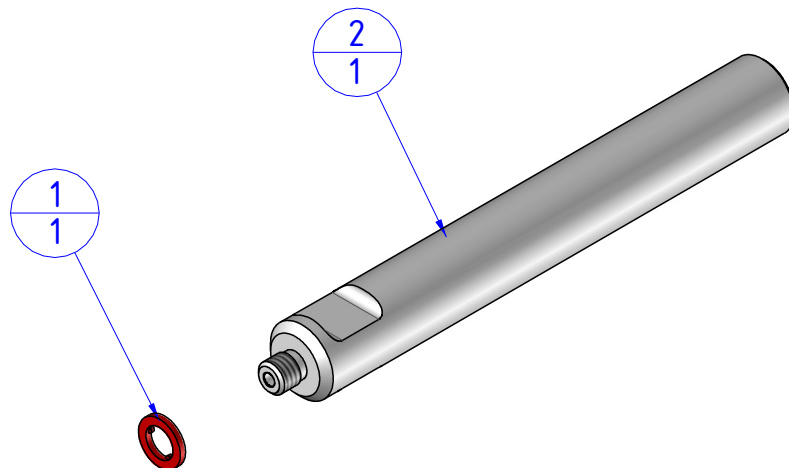


THE PROPERTY OF THE DRAWING IS ESTABLISHED BY LAW. IT IS FORBIDDEN TO PRODUCE OR SHOW IT TO THIRD PART. WITHOUT A WRITTEN AGREEMENT.

Item	Name	Qty.
1	CA.08.09.05	1
2	GSEG.120590	1



Format A4 UNI 936-76	<b>FP SERVICES</b> AUTOMATION			DESIGNED FROM	FP SERVICES	REVIEW	A
	GENERAL TOLERANCE	DESCRIPTION		DATE	26/02/2019	WEIGHT	0,024kg
	UNI - ISO 2768 CLASSE f	CA.GSEG,120590		CODE	CA.GSEG.120590		